

Electronic Temperature Sensors

UTF2

for OEM applications

Temperature monitoring with Pt100-Sensor (Class B)

Features

Rugged and compact stainless steel construction,
protection class IP65,
high shock- and vibration stability

Measuring Ranges

-40 °C...+150 °C

Applications

Machine industry, mobile hydraulics and environmental
technology, air conditioning control

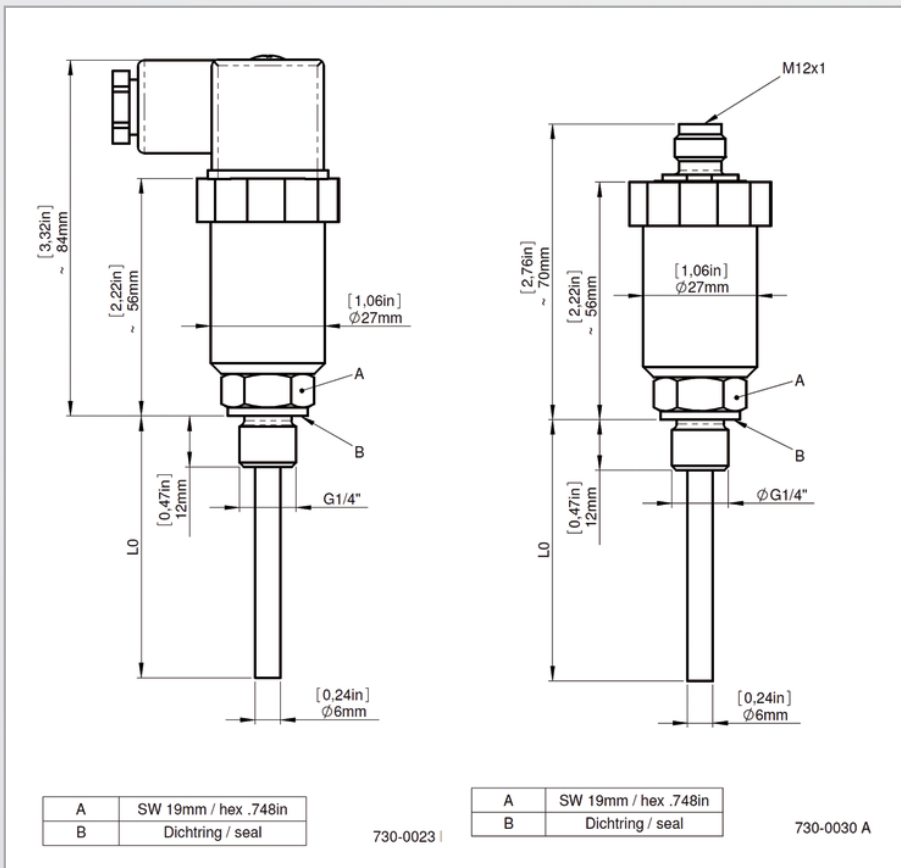


Technical Data

Sensor:	Sensing resistor Pt100 acc.to DIN IEC 751, (Class B, 4-wire)
Materials: Wetted Parts Housing (Electronics) Seals	Stainless steel 1.4301 Stainless steel 1.4301 FKM
Protection class:	IP65 plug
Process connection:	G 1/4 male, nut across flats 19mm
Proof Pressure:	max. 200 bar, others on request

Dimensions:	see drawings
Weight:	130 g
Time constant:	appr. 40 s
Measuring current:	max. 5 mA
Electrical connection:	Plug 4-pin, M12x1
Sensor length:	17 mm, 50 mm
Sensor diameter:	6 mm

Dimensions (mm / inch)



Order Numbers

Temperature Transmitter with Pt100 output, M12x1		
Art. No.	Temp. Range in °C	Sensor length in mm
0631-014	-40 +150	17
0631-132	-40 +150	50